

Our Products in Microbial Solution

Adding value to the product and the process



Who We Are

PrARAS Biosciences Pvt. Ltd. (PBPL), incorporated in 2007 is engaged in the manufacture of specialty biochemical for diverse industries like breweries, distilleries and food processing. We specialize in providing industrial Biochemical based solutions for product/ process improvement. Our USP is measurability, cost savings, import substitution and environment friendly.

We have a FSSAI Licensed manufacturing facility in Bengaluru, India with ISO 9001:2008 and ISO 22000:2005 certification.



Our Products in Microbial Solution

GT ACTIV™



CAS ACTIV™



U BLOCK ACTIV™

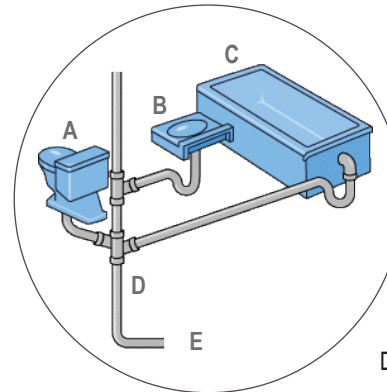


MALODOREX™ ACTIV

MALODOREX™ ACTIV SLR

STP ACTIV™

STP ACTIV™ ULTRA



A - TOILET

B - KITCHEN SINK

C - BATHTUB

D - DRAIN LINE

E - TO SEPTIC TANK

Our Products

Praras has developed a range of products for sanitation & cleaning by harvesting the nature's work horses i.e. bacteria. These microorganisms by virtue of their enzymes can breakdown a wide range of macromolecules leading to a variety of applications like surface cleaning, stain removal, odour and waste management.

Product Range

Products	Nature of the product	Function*
GT ACTIV™	Bacterial consortia	Grease trap & drainage management.
MALODOREX™ ACTIV	Bacterial consortia	Mal-odor management.
U BLOCK ACTIV™	Bacterial consortia	Mal-odor management in urinals.
STP ACTIV™	Bacterial consortia	Septic-tank cleaning.
STP ACTIV™ ULTRA	Bacterial consortia	Septic-tank cleaning.
CAS ACTIV™	Bacterial consortia	Surface deep cleaning.
MALODOREX™ Activ SLR	Bio-enzyme based product containing fragrance Nano-particles	Long term mal-odor reduction & fragrance release.

* please refer to the product data sheets for more details.





PrARAS BIOSCIENCES PVT LTD

INDIA OFFICE (Head Office):

21/10A, 2nd Floor, Jyothy Industries, Konanakunte Cross,
Kanakapura Road, Bengaluru – 560062, Karnataka, India.

Ph: +91-80-48904262

Email: info@prarasbiosciences.com

APAC OFFICE:

Level 30, Six Battery Road, Singapore – 049909.

Email: krish.krishnan@prarasbiosciences.com

EUROPE OFFICE:

Eichendorffstr. 20, 59846 Sundern, Germany

Email: hans-erich.weber@prarasbiosciences.com

andreas.boettcher@prarasbiosciences.com

www.prarasbiosciences.com